



Electrolux
PROFESSIONAL

Food Processor
TrinityPro Cutter Mixer 3,6 Lt with
sealed lid - Variable Speed - UK plug

ITEM # _____

MODEL # _____

NAME # _____

SIS # _____

AIA # _____



602228 (K36SVSG)

* NOT TRANSLATED *

Main Features

- Tabletop cutter mixer and emulsifier allowing fast chopping, mixing, mincing, griding, liquidizing and kneading.
- Includes 3,6 liter stainless steel bowl with micro-toothed blades rotor.
- Bowl/lid scraper included for uniform smooth results (emulsifying) and continuous working.
- All ingredients are processed evenly and quickly thanks to a special movement generated inside the bowl.
- Easy to clean and waterproof control panel with flat on/off button and pulse function.
- Pulse function for coarse chopping.
- All parts in contact with food are removable without the use of tools, completely dismountable and dishwasher safe.
- ErgoCert 4-star certification for ergonomic design and ease of use.
- Productivity up to 50 settings per service.
- 9 speed levels for extra smooth results and high speed emulsifying.
- Transparent lid, with sealing to prevent leakage and with funnel shaped hole, to add ingredients during use.

Construction

- Food safety assured in accordance to European directives and UK legislation. In addition, materials in contact with food, are BPA-free.
- Product safety conform to European directives, UK legislation and international health and safety standards.
- Variable speed: 500 - 3600 rpm.
- Motor power: 750 Watt.
- Bowl in AISI 304 stainless steel.
- Micro-toothed blades in 420 AISI stainless steel and ergonomic scraper in resistant composite material to ensure consistent mixing.
- compact design, easy to move and store.
- IPX5 (IP55) waterproof, flat, touch-control panel.
- Main switch ON/OFF on the back of the appliance.
- Asynchronous industrial motor with no brushes for high reliability and quiet functioning, stainless steel motor shaft.

APPROVAL: _____



Experience the Excellence
www.electroluxprofessional.com

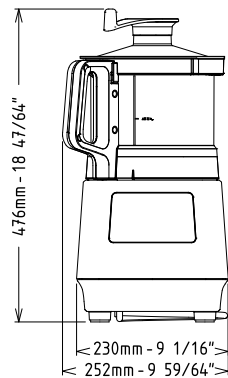
Included Accessories

- 1 of - NOT TRANSLATED - PNC 650233
- 1 of - NOT TRANSLATED - PNC 650235
- 1 of - NOT TRANSLATED - PNC 650236
- 1 of - NOT TRANSLATED - PNC 653862

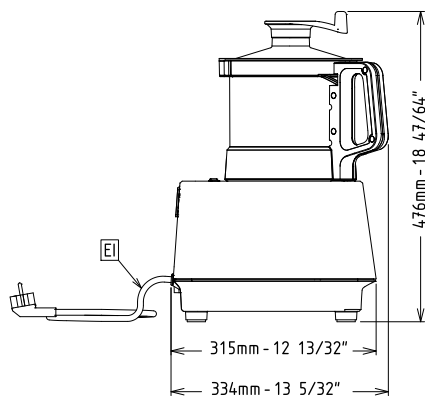
Optional Accessories

- - NOT TRANSLATED - PNC 650117
- - NOT TRANSLATED - PNC 650118
- - NOT TRANSLATED - PNC 650226
- - NOT TRANSLATED - PNC 650227
- - NOT TRANSLATED - PNC 650228
- - NOT TRANSLATED - PNC 650229
- - NOT TRANSLATED - PNC 650230
- - NOT TRANSLATED - PNC 650231
- - NOT TRANSLATED - PNC 650233
- - NOT TRANSLATED - PNC 650234
- - NOT TRANSLATED - PNC 650235
- - NOT TRANSLATED - PNC 650236
- - NOT TRANSLATED - PNC 650245
- - NOT TRANSLATED - PNC 653862
- - NOT TRANSLATED - PNC 653864

Front

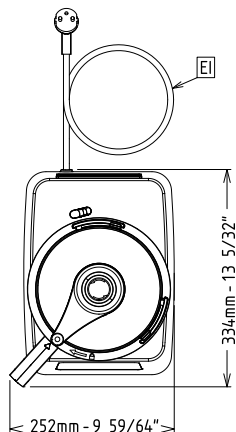


Side



EI = Electrical inlet (power)

Top



Electric

Supply voltage:	220-240 V/1N ph/50/60 Hz
Electrical power max.:	0.75 kW
Total Watts:	0.75 kW

Capacity:

Performance (up to):	150 kg/Cycle
Capacity:	3.6 litres

Key Information:

External dimensions, Width:	252 mm
External dimensions, Depth:	334 mm
External dimensions, Height:	476 mm
Shipping weight:	16.9 kg
Meat mincing capacity:	0 kg
Mayonnaise preparation capacity:	0 kg
Pastry preparation capacity:	0 kg